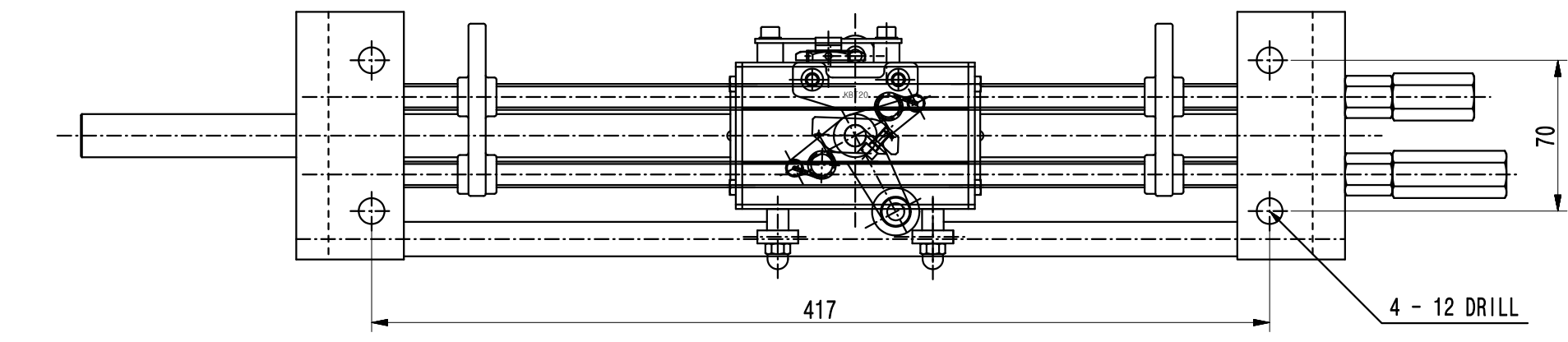


ROTATION 'L' ROTATION 'R'

TECHNICAL DATA

Max. DRIVING FORCE	8 kg/f
Max. ROTATION	1500 RPM
Max. PITCH	0~15 mm
Max. STROKE	800 mm



DRAWN	DESIGN	CHECK	APPR.	SCALE	TITLE	
				3.0	BALL TRAVERS UNIT (STANDARD TYPE)	
				A3		
					APPLICATION MODEL : KBT3-20S	
<b>KRC 한국로보척</b>					DATE	2017. 08. 00
<b>KOREA ROBO CHUCK</b>					DWG.NO	KBT3-20S-1000