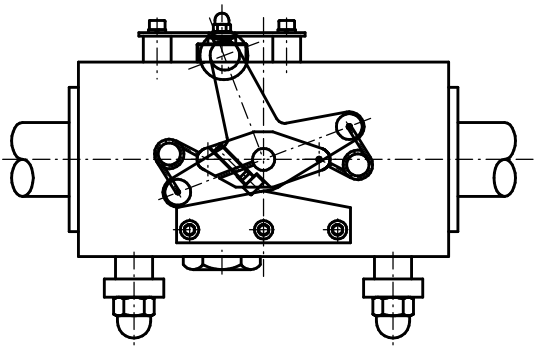
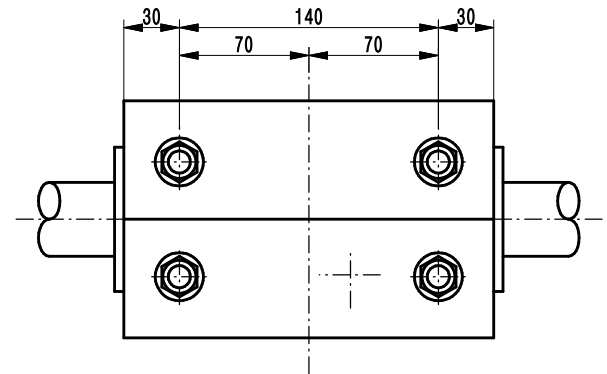


ROTATION 'L' ROTATION 'R'



TECHNICAL DATA

Max. DRIVING FORCE	22 kg/f
Max. ROTATION	750 RPM
Max. PITCH	0~30 mm
Max. STROKE	1500 mm

DRAWN	DESIGN	CHECK	APPR.	SCALE	TITLE
				3.0	BALL TRAVERS UNIT (STANDARD TYPE) BASIC MODEL: KBT3-40
				A3	
KRC 한국로보츱 KOREA ROBO CHUCK					DATE 2013. 04. 00 DWG.NO KBT3-40-1000