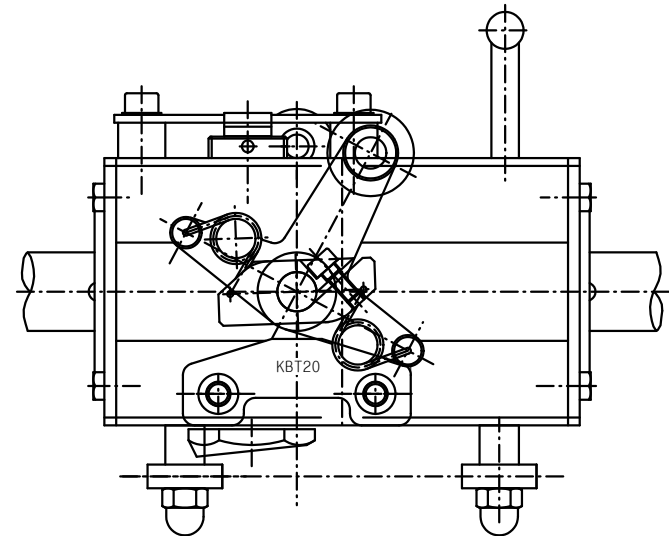


ROTATION 'L'

ROTATION 'R'



TECHNICAL DATA

Max. DRIVING FORCE	12 kg/f
Max. ROTATION	1500 RPM
Max. PITCH	0~15 mm
Max. STROKE	800 mm

DRAWN	DESIGN	CHECK	APPR.	SCALE	TITLE	
				2.0	BALL TRAVERS UNIT (STANDARD TYPE) BASIC MODEL: KBT4-20	
				A3		
<b>KRC 한국로보츱</b> KOREA ROBO CHUCK					DATE	2017. 08. 00
					DWG.NO	KBT4-20-1000