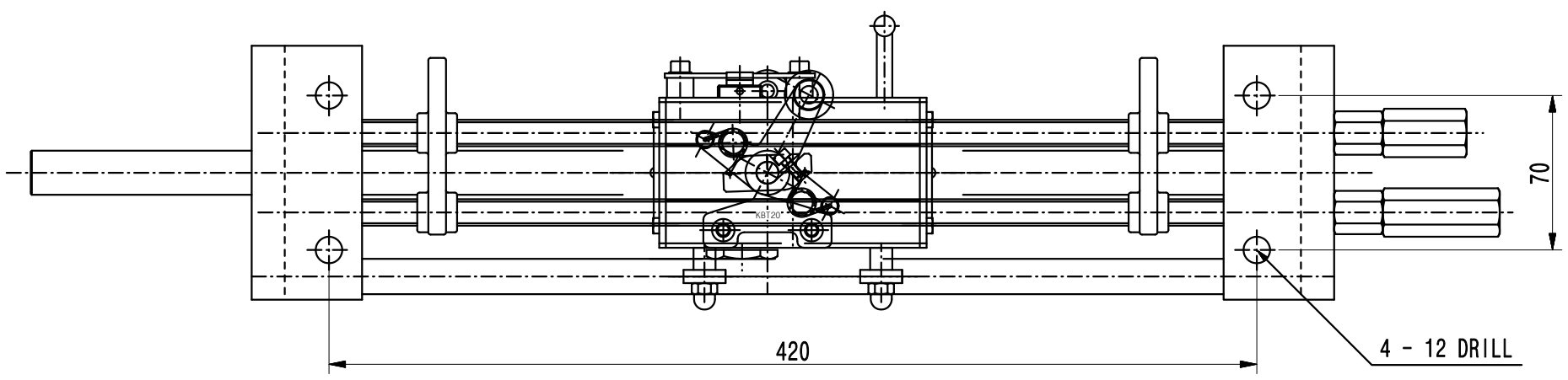


ROTATION 'L' ROTATION 'R'



TECHNICAL DATA

Max. DRIVING FORCE	12 kg/f
Max. ROTATION	1500 RPM
Max. PITCH	0~15 mm
Max. STROKE	800 mm

DRAWN	DESIGN	CHECK	APPR.	SCALE	TITLE	
				3.0	BALL TRAVERS UNIT (STANDARD TYPE)	
				A3		
KRC 한국로보츱 KOREA ROBO CHUCK					APPLICATION MODEL: KBT4-20S	
					DATE	2017. 08. 00
					DWG.NO	KBT4-20S-1000