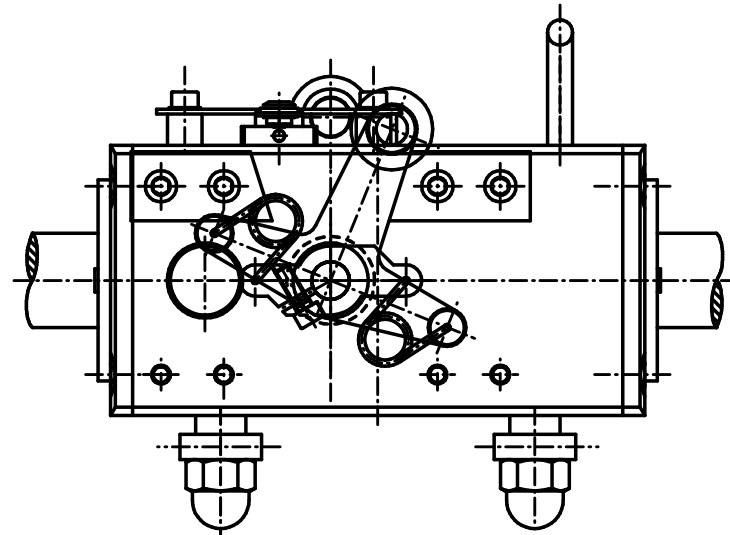


ROTATION 'L' ROTATION 'R'



TECHNICAL DATA

Max. DRIVING FORCE	20 kg/f
Max. ROTATION	1000 RPM
Max. PITCH	0~24 mm
Max. STROKE	1200 mm

DRAWN	DESIGN	CHECK	APPR.	SCALE	TITLE	
				2.5	BALL TRAVERS UNIT (STANDARD TYPE) BASIC MODEL: KBT4-30	
				A3		
KRC 한국로보츠회사 KOREA ROBO CHUCK					DATE	2013. 04. 00
					DWG.NO	KBT3-15-1000