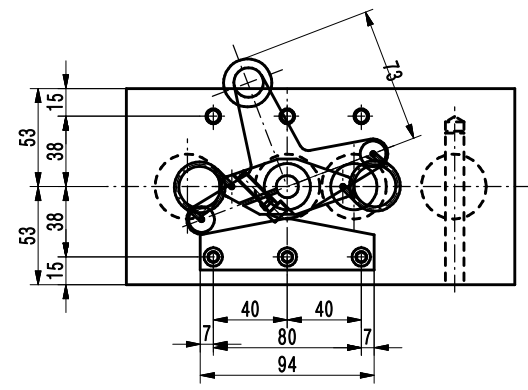
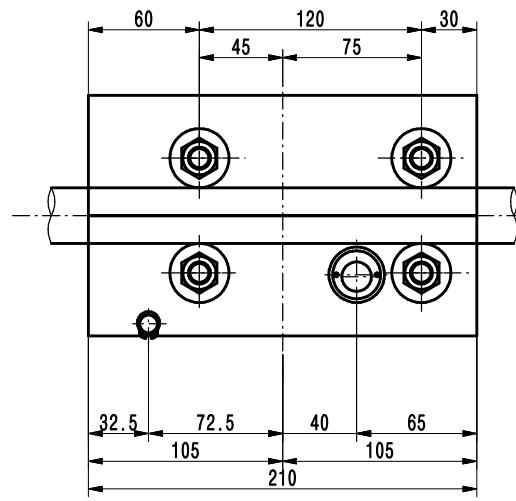


ROTATION 'L' ROTATION 'R'



TECHNICAL DATA

Max. DRIVING FORCE	30 kg/f
Max. ROTATION	750 RPM
Max. PITCH	0~30 mm
Max. STROKE	1500 mm

DRAWN	DESIGN	CHECK	APPR.	SCALE	TITLE	
				3.0	BALL TRAVERSER UNIT (STANDARD TYPE) BASIC MODEL: KBT4-40	
				A3		
KRC 한국로보츱 KOREA ROBO CHUCK					DATE	2013. 04. 00
					DWG.NO	KBT4-40-1000